

SOUTHERN CALIFORNIA

2115 S HELLMAN AVE UNIT H
ONTARIO, CA 91761

PHONE: 909.923.9809

BAKERSFIELD

4630 EASTON DRIVE SUITE 4
BAKERSFIELD, CA 93309

PHONE: 661.432.2729

HAWAII / GUAM

PHONE: 808.462.2549

SAN DIEGO / IMPERIAL

31248 VALLEY CENTER RD
VALLEY CENTER, CA 92082

PHONE: 760.749.2209

CENTRAL COAST / KERN COUNTY

PHONE: 661.342.0817

LAS VEGAS / CLARK COUNTY

PHONE: 702.908.5853

BLACKMER military marine authorized sales and service for western United States

WE ALSO SPECIALIZE IN

PUMP REPAIRS

MAINTENANCE SERVICE CONTRACTS

HVAC PUMPING EQUIPMENT

INDUSTRIAL + MUNICIPAL PROCESS EQUIPMENT

MUNICIPAL PUMPING EQUIPMENT

COMMERCIAL BUILDING TRADE

CSLB 487325
CAGE 6U1W7

**Proudly Serving
Our United States
Military Partners**

CENTRIFUGAL PUMPS

Sulzer | Vertical Turbine, End Suction, Split Case, ANSI, Chemical Process, Horizontal + Self-Priming

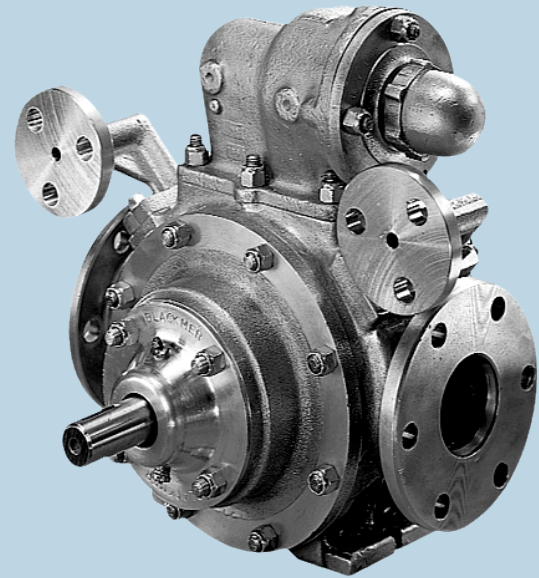
System One | Heavy Duty Centrifugal ANSI

Goulds | Vertical Turbine, Submersible, Turbine, Vertical Multistage, End Suction, Horizontal

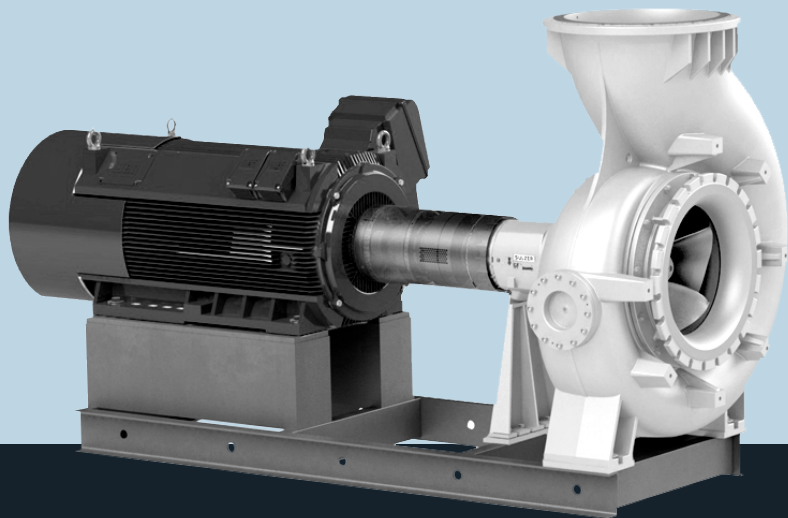
Johnston Pump | Vertical Turbines, Axial Flow

Peerless | Vertical Turbine, End Suction, Split Case, ANSI, Chemical Process, Horizontal + Self-Priming

Labour Taber | ANSI, Triple Volute, Self-Priming, Vertical Sump



BLACKMER SEALLESS ▲



◀ SULZER ABS

POSITIVE DISPLACEMENT PUMPS

Yamada | Air Operated Diaphragm Pump

Wilden | Air Operated Diaphragm Pump

Nomad | Air Operated Diaphragm Pump

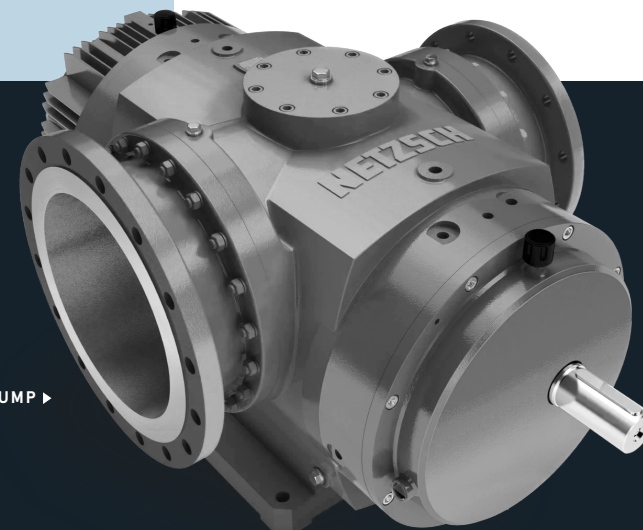
Blackmer | Rotary Vane, Hose Pump, Self-Priming

Netzsch | Progressive Cavity Pumps, Peristaltic Hose Pump

Gorman Rupp | Rotary Gear

Haight | Rotary Gear

NETZSCH NOTOS SCREW PUMP ▶

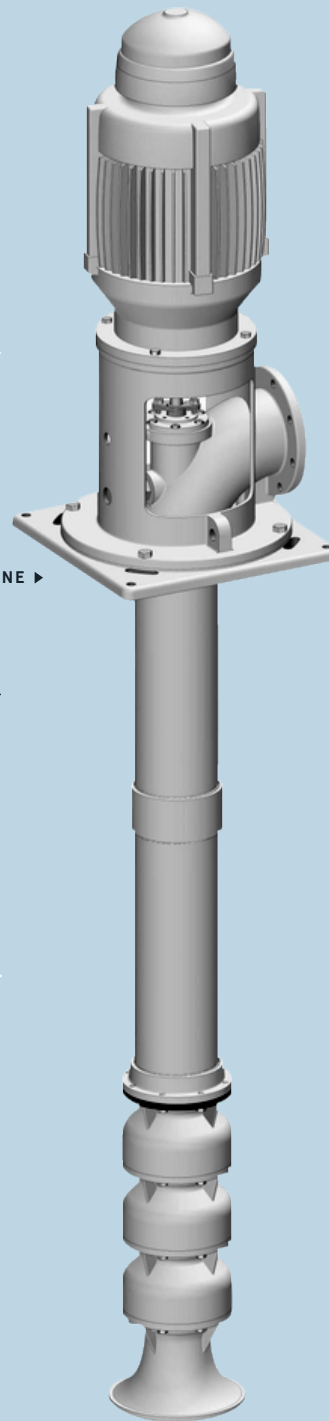


CHEMICAL FEED

Grundfos | Pulse-free Variable Speed Diaphragm Metering Pumps (for metering of chemicals, polymers and other liquids)

Gorman Rupp Industries | Brushless DC Magnetic Driven, Oscillating, Piston Diaphragm Gear

Netzsch | Progressive Cavity Dosing Pump



JOHNSTON VERTICAL TURBINE ▶

WASTEWATER + DEWATERING

Sulzer ABS | Dewatering, Sump, Effluent, Submersible Non-Clog, Solids Handling, Chopper

Goulds | Dewatering, HVAC, End Suction, Sump Effluent, Submersible Non-Clog, Solids Handling, Trash Pump, Vertical Multistage

Gorman Rupp | Self-Priming

Vertiflo | Sealless Vertical Pumps, Self-Priming, Solids Handling, Horizontal End Suction

Netzsch | Channel Grinder, Pipeline Grinder, Progressive Cavity

Ebara | Dewatering, Sump, Effluent, Submersible, Non-Clog, Solids Handling

MIXERS + AGITATORS

Fusion | Vertical and Side Entry, Impellers, Agitators, Chemseal, Static Mixers

Sulzer ABS | Submersible Mixers, Agitators

PACKAGE PUMP STATIONS

Hydroboost | Packaged Booster Stations

SEALLESS PUMPS

Blackmer | SMVP Sliding Vane with Sealless Magnetic Coupling

Gorman Rupp | Sealless Gear Pump

Iwaki | Magnetically Driven, Non-Metallic

CHESTERTON MECHANICAL SEALS ▶



NETZSCH PROGRESSIVE CAVITY ▼



ACCESSORIES

A.W. CHESTERTON

COTEY CHEMICAL

T.B. WOODS

LOVE JOY

CLA VAL

BALDOR ABB

FLOMATIC

NIDEC

SEEWATER

BLACOH

AMTROL

FLUX